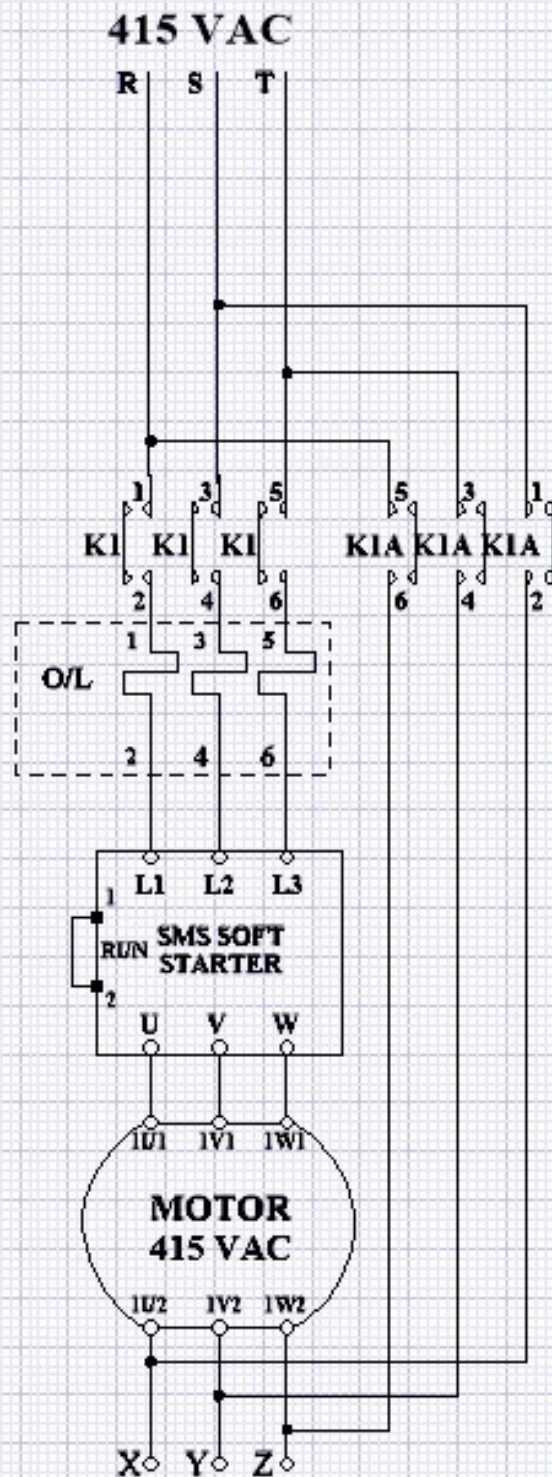


SMS SS
DOL Connection



SMS SS
Delta Connection

Nb: Current reduced by factor
of 1.6 using Delta connection